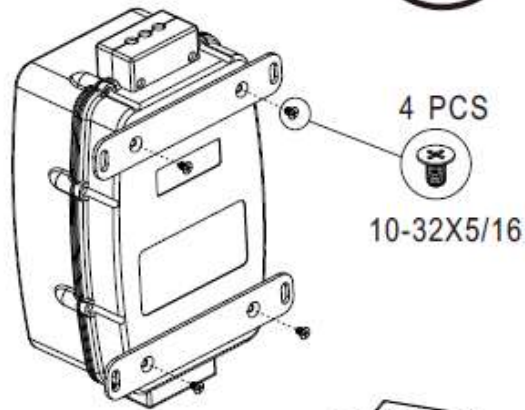




**30**  
**AMP\***

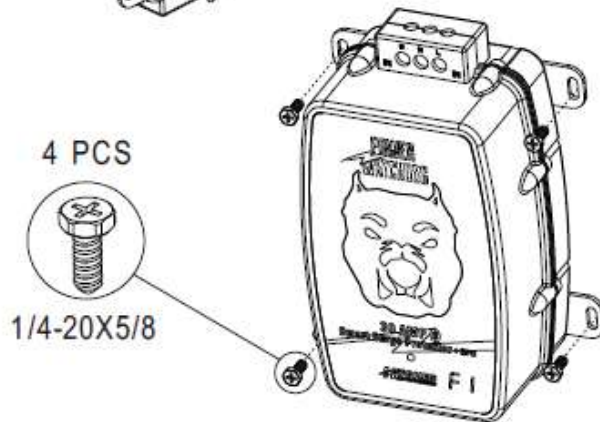
### STEP 1

How to install  
the brackets  
on the unit



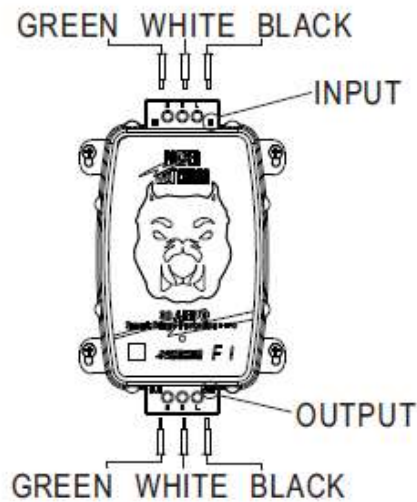
### STEP 2

How to install  
the unit in the  
compartment



### STEP 3

Input & output  
wiring diagram



[hughesautoformers.com](http://hughesautoformers.com)

⚡ 888-540-1504