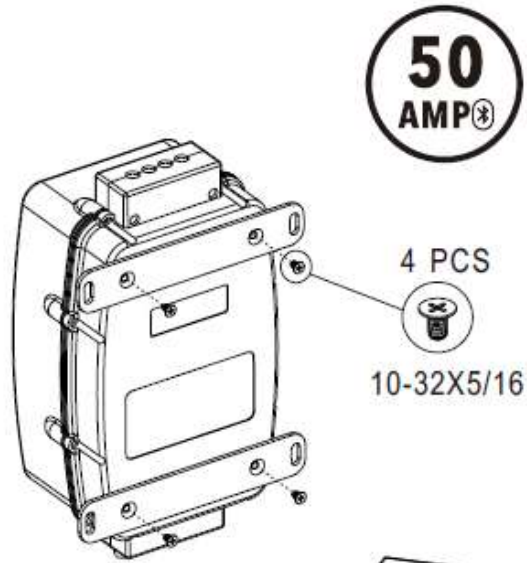




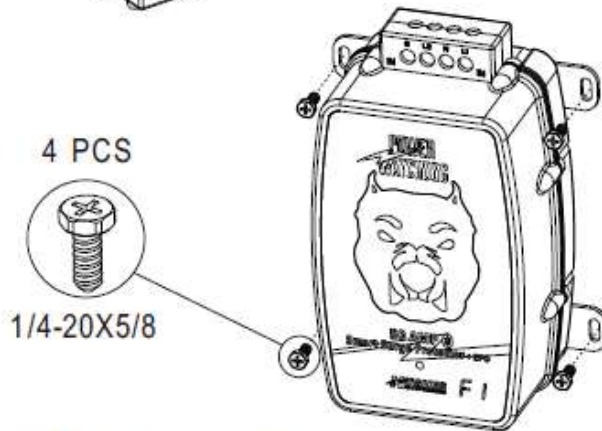
STEP 1

How to install the brackets on the unit



STEP 2

How to install the unit in the compartment



STEP 3

Input & output wiring diagram

